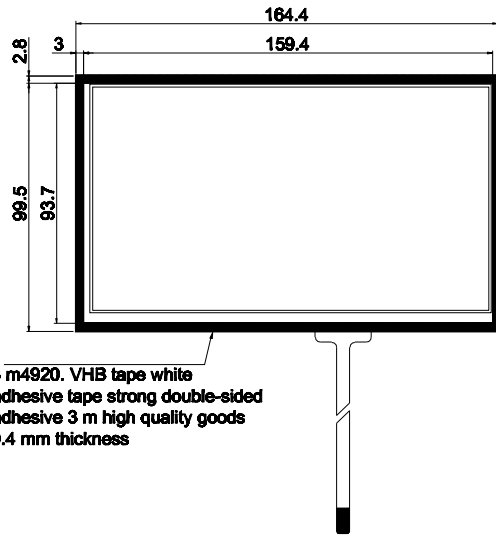
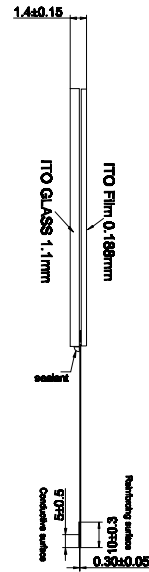


1	2	3	4	5	6	7
版本		变更原因		日期	姓名	

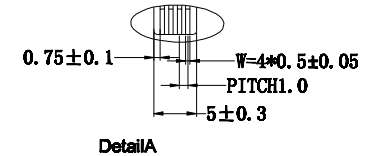
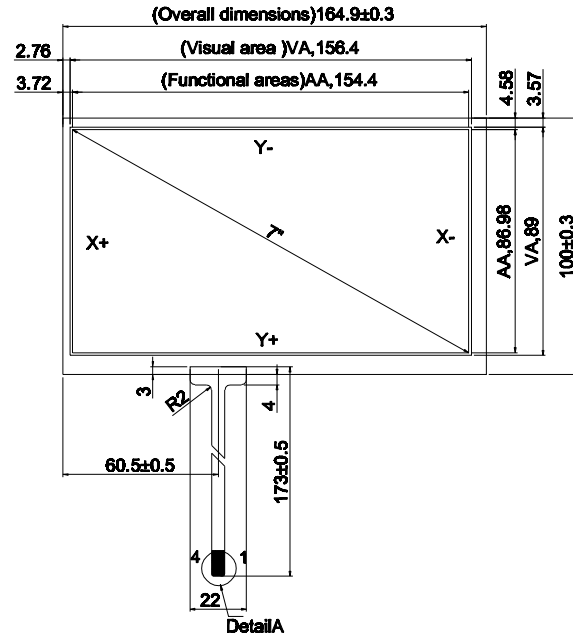
Back view



The strakes



Front view



Logic:

PIN #	Assignment
1	Y-
2	X-
3	Y+
4	X+

Notes:

- 1.Type:Film to Glass
- 2.Operating Voltage:≤10v
- 3.Operation Temperature:-10℃~60℃
Storage Temperature:-20℃~70℃
- 4.Life Time:1.000.000 times
- 5.Connect Material:FPC
- 6.Response Time:≤10ms
- 7.Linearity:≤1.5%
- 8.Transmittance:≥75%
- 9.Surface Hardness≥3H(pencil)
- 10.Operation force:60g~150g
- 11.Resistance:X:479Ω-1172Ω Y:152Ω-372Ω

TOLERANCES (UNLESS OTHERWISE STATED)	
DECIMALS	ANGLES ±0.5%
>2000MM	±2.00MM
1800< X ≤2000M	±1.20MM
1200< X ≤1800MM	±0.80MM
800< X ≤1200MM	±0.50MM
400< X ≤800MM	±0.40MM
120< X ≤400MM	±0.30MM
30< X ≤120MM	±0.20MM
<30MM	±0.10MM

绿敏触控 GreenTouch		Shenzhen GreenTouch Technology Co.,Ltd			
Model No.:	GT-4W-7K-1	Size	7"	Ratio	16:9
Structure	G+F	Unit	mm	Scale	1:1
Design	李俊	Date	2016.6.8	Page	1/1
Check	付作市	Date	2016.6.8	Version	A0
Release	汪陈	Date	2016.6.8	⊕	