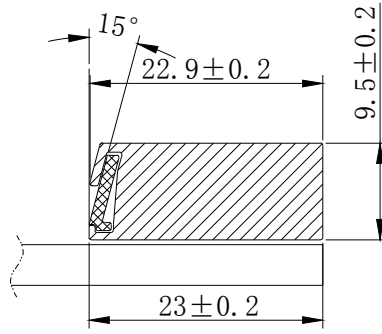
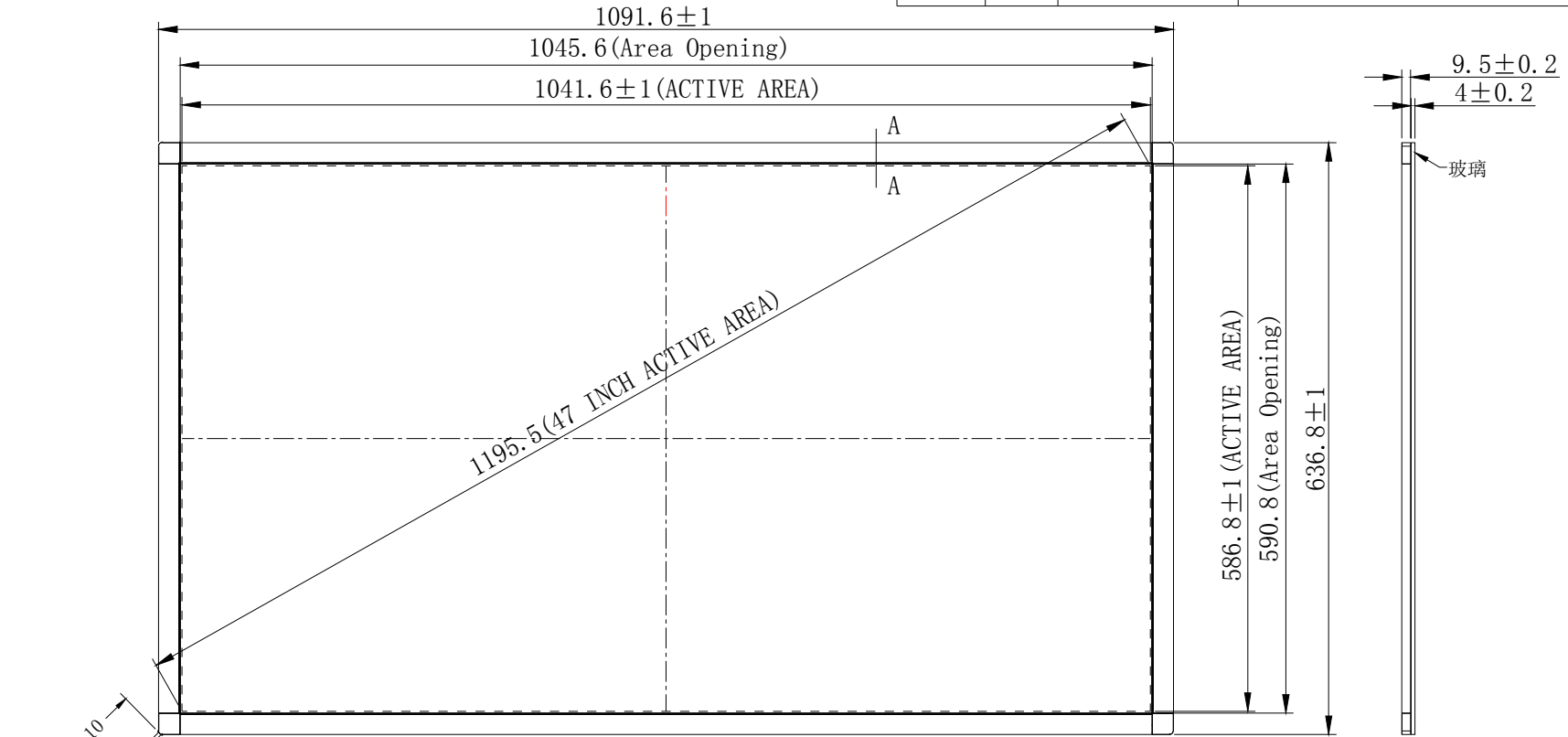


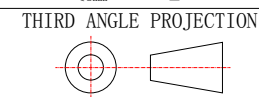
LOGO	REV.	Date	Changes
①			
②			
③			



Section A-A
Scale: 10:1

TOLERANCES
(UNLESS OTHERWISE STATED)

DECIMALS	ANGLES	$\pm 1^\circ$
$> 300\text{mm}$	$\pm 0.30\text{mm}$	
$200 < x \leq 300\text{mm}$	$\pm 0.25\text{mm}$	
$150 < x \leq 200\text{mm}$	$\pm 0.20\text{mm}$	
$100 < x \leq 150\text{mm}$	$\pm 0.15\text{mm}$	
$50 < x \leq 100\text{mm}$	$\pm 0.10\text{mm}$	
$25 < x \leq 50\text{mm}$	$\pm 0.08\text{mm}$	
$8 < x \leq 25\text{mm}$	$\pm 0.05\text{mm}$	
$\leq 8\text{mm}$	$\pm 0.03\text{mm}$	



GreenTouch Shenzhen GreenTouch Technology Co.,Ltd

MODEL NO.	GT-IR-F47-1			NOTES:
PART No.		SCALE	1:1	
PART NAME	产品尺寸图	REV.	1.0	
UNIT	mm	SIZE	FREE	
MATERIAL		SHEET	1/1	
SURFACE	拉丝氧化黑色	CHK' D		
DRAWN		APP' D		